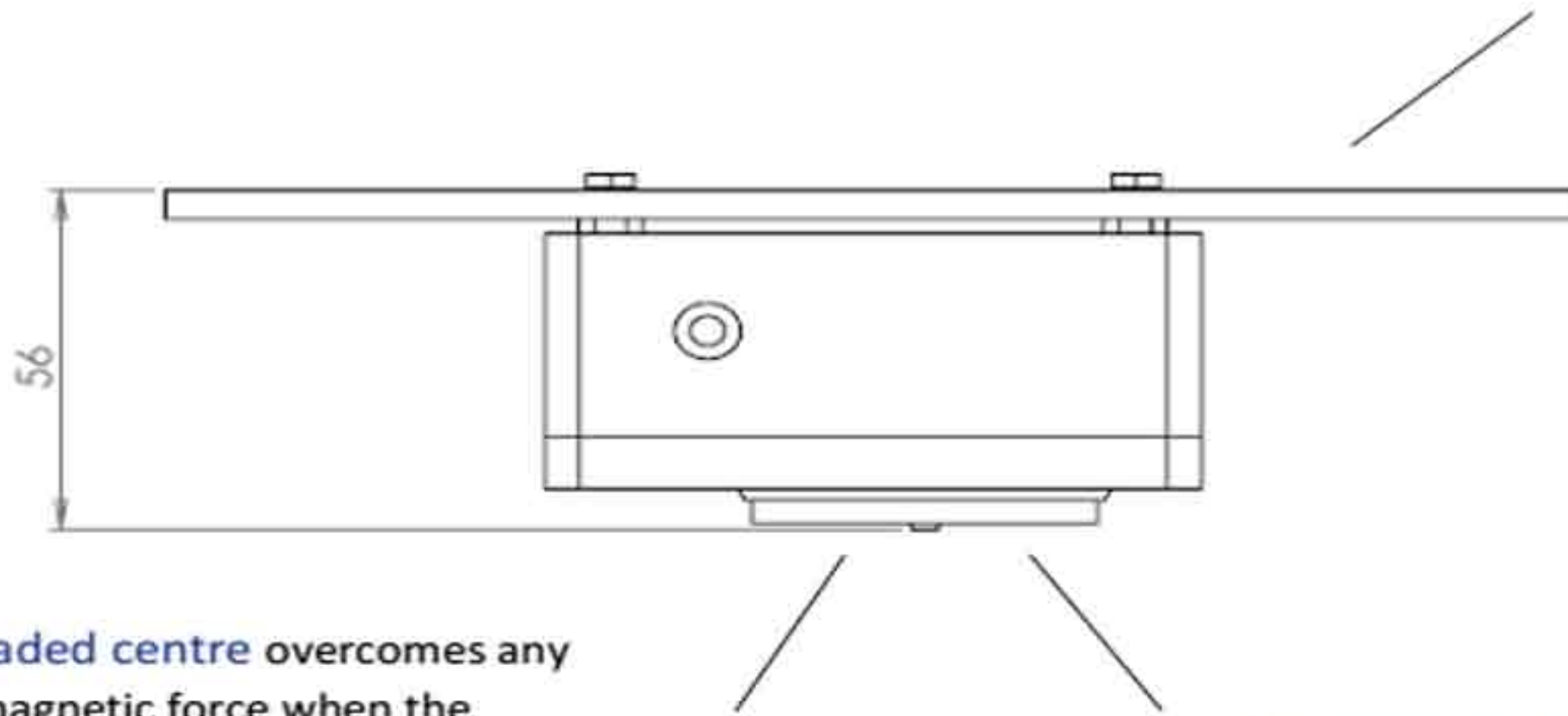


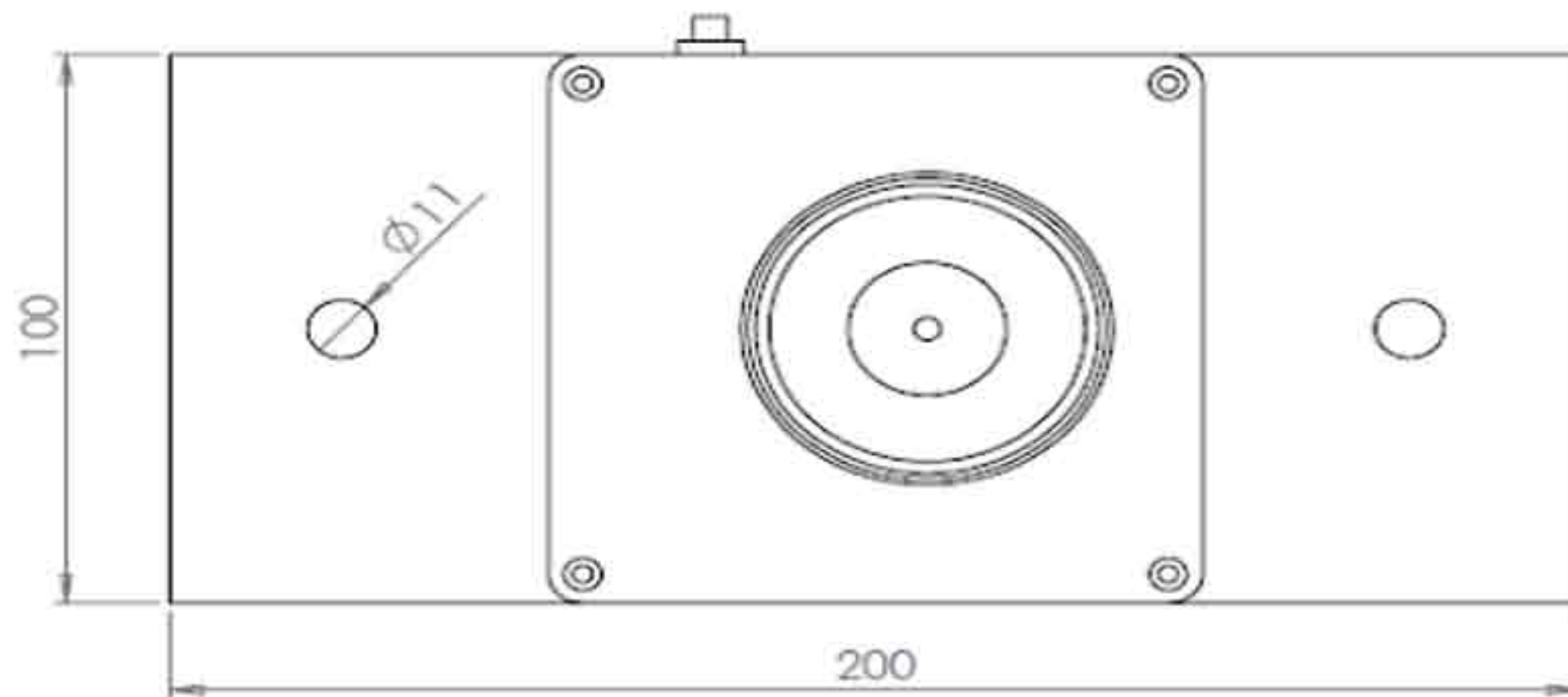
E-Mag

Mounting Plate, 6mm thick mild steel, with 2 x 11mm diam, fixing holes at 155mm centres. Mounting plate finished silver coat



Spring loaded centre overcomes any residual magnetic force when the electromagnet is de-energised

Electromagnetic Face



E-Mag (Electromagnetic Release) Technical Details			
Product Code	Voltage	Power Consumption	Holding force
20-162	24V DC	ZVA	40Kg
20-163	110V AC	ZVA	40Kg
20-164	230V Ac	ZVA	40Kg