

# VIII BSPP Nozzles



**Automatic shut off nozzle for truck stop and other high volume full-service, self-service and unattended stations.**

- VIII nozzle shuts off when
  - the pump shuts off.
  - the gas tank is full.
  - the lever is opened before the pump is turned on.
  - the leak detector has not completed the test cycle.
- Spout is reinforced with thick aluminum bushing that retains spout spring and keeps spout from rounding-in: the two leading causes of clicking off and splash-back spillage.
- Equipped with a unique Flo-Stop® device that shuts off the nozzle if it falls from the fill tank or raises above the horizontal.

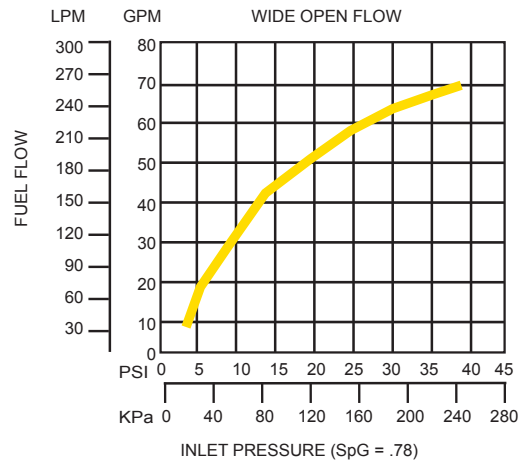


## New Nozzles

| MODEL NO. | DESCRIPTION  | SHIPPING WEIGHT LBS (KG) |
|-----------|--|--------------------------|
| 173338    | with Three Notch Hold Open Clip, Waffle Splash Guard and Spout Bushing         | 4.5 (2.0)                |
| 503038    | with Three Notch Hold Open Clip and Waffle Splash Guard, without Spout Bushing | 4.5 (2.0)                |

## Construction

|         |   |
|---------|---|
| Body    | Aluminum  |
| Seals   | Fluorocarbon  |
| Packing | Double o-ring seal protected by fiber reinforced Teflon |
| Lever   | One piece contoured steel                               |
| Inlet   | 1" / 25.4 mm BSPP                                       |





# VIII BSPP Nozzles

Automatic shut off nozzle for truck stop and other high volume full-service, self-service and unattended stations.

## Dimensions and System Options

### BSPP Safe-T-Breaks®

| MODEL NO. | DESCRIPTION                                    |
|-----------|--|
| 3076      | 1" F x 1" F Reconnectable Safe-T-Break®        |
| 3076A     | 1" F x 1" F Reconnectable Safe-T-Break® - ATEX |
| 6914      | 1" F x 1" F Non-Reconnectable Safe-T-Break®    |

### BSPP Swivels

| MODEL NO. | DESCRIPTION  |
|-----------|--|
| 3306      | 1" M x 1" F Multi-Plane Swivel                         |
| 3306W     | 1" M x 1" F Multi-Plane Swivel with Warm Weather Seals |
| 6949      | 1" M x 1" F Multi-Plane High Flow Swivel               |

### BSPP Swivel/Safe-T-Break® Combos

| MODEL NO. | DESCRIPTION   |
|-----------|---|
| 8015      | 1" M BSPP Multi-Plane Swivel connected to 1" F BSPP Reconnectable Safe-T-Break® |

### Spouts

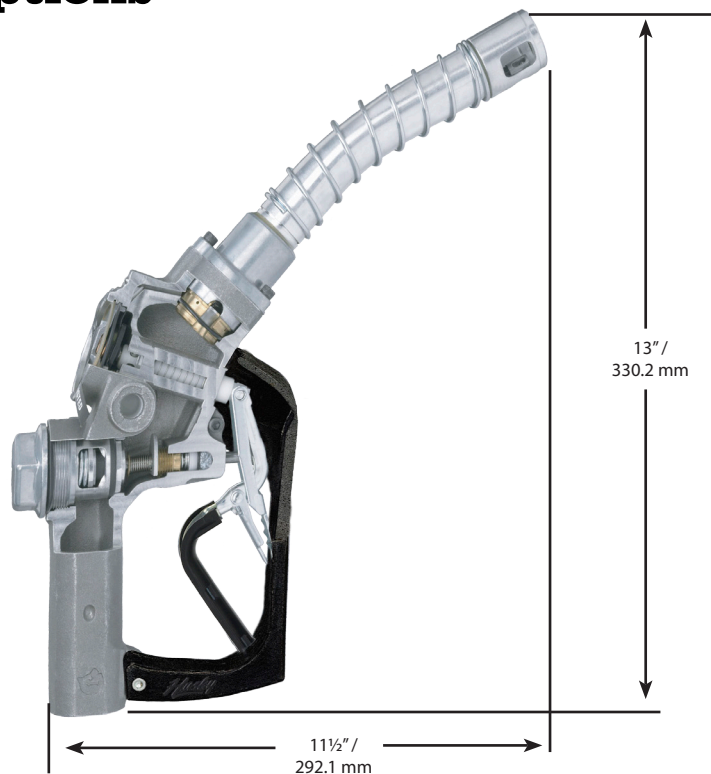
| MODEL NO. | DESCRIPTION  |
|-----------|--|
| 2279      | Complete Spout Assembly Kit with Bushing                       |
| 5017      | Complete Spout Assembly Kit without Bushing                    |
| 3589      | Complete Long Spout Assembly with Spout Bushing                |
| 11043     | Complete Spout Assembly without Bushing and Small Spout Spring |

### Pressure/Vacuum Vents

| MODEL NO. | DESCRIPTION   |
|-----------|---|
| 4620      | 2" Slip-On Pressure Vacuum Vent                               |
| 4885      | 2" Thread-On Pressure Vacuum Vent - NPTF                      |
| 5885      | 2" Thread-On Pressure Vacuum Vent with internal screen - NPTF |

### Accessories, Testing and Maintenance

| MODEL NO. | DESCRIPTION                |
|-----------|----------------------------|
| 7089      | Nozzle Service Kit         |
| 3593      | Hold Open Clip Kit         |
| 6645      | Plunger Assembly Lift Tool |



### Guards

| MODEL NO. | DESCRIPTION               |
|-----------|---------------------------|
| 4740      | Full Grip Guard           |
| 5516      | Full Grip Reguard         |
| 5494      | Lever Cover               |
| 1808      | Waffle Splash Guard       |
| 8178      | POPD® EZH Nozzle Guard    |
| 8177      | POPD® EZS Nozzle Guard    |
| 7999      | POPD® H Clear Cover       |
| 8168      | POPD® H Mate Guard        |
| 8186      | POPD® H Full Grip Guard   |
| 8193      | POPD® H Full Grip Reguard |
| 6628      | POPD® S Clear Cover       |
| 7352      | POPD® S Full Grip Guard   |
| 8167      | POPD® S Mate Guard        |
| 8194      | POPD® S Full Grip Reguard |



2325 Husky Way • Pacific, MO 63069  
 (800) 325-3558 • Fax (636) 825-7300  
[www.husky.com](http://www.husky.com) • [sales@husky.com](mailto:sales@husky.com)

MADE IN THE U.S.A.